

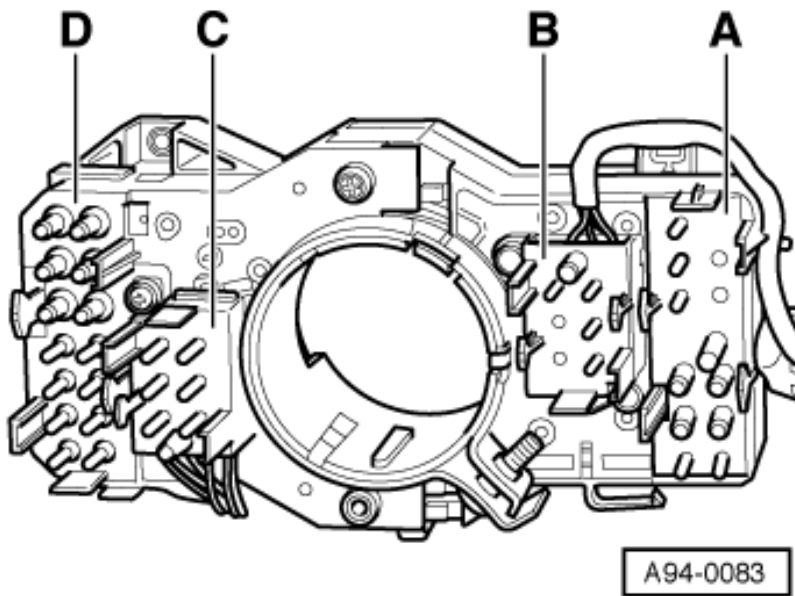
Manetka – AUDI A4 B5

Przedlift:



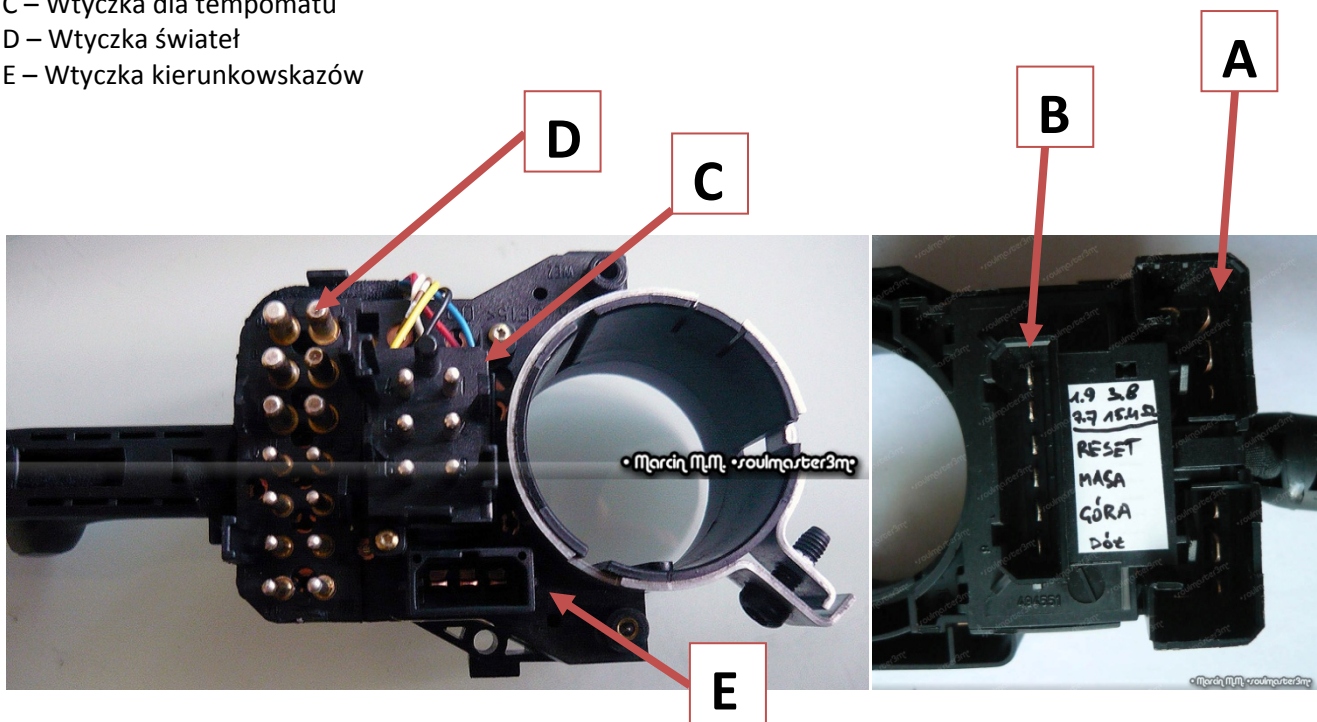
Polift:

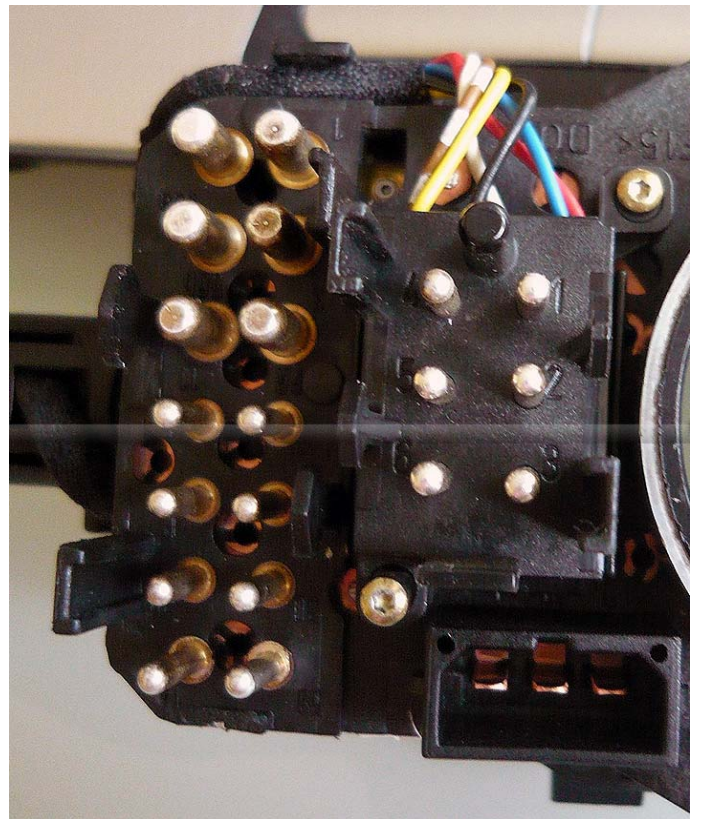
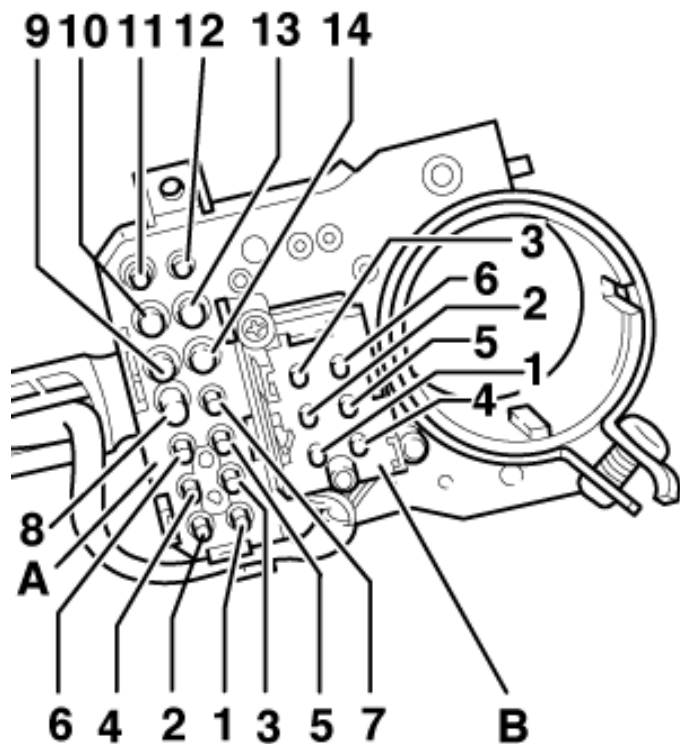




Przegląd wtyczek:

- A – Wtyczka dla wycieraczek
- B – Wtyczka dla kontroli FIS i regulacja częstotliwości pracy wycieraczek
- C – Wtyczka dla tempomatu
- D – Wtyczka świateł
- E – Wtyczka kierunkowskazów



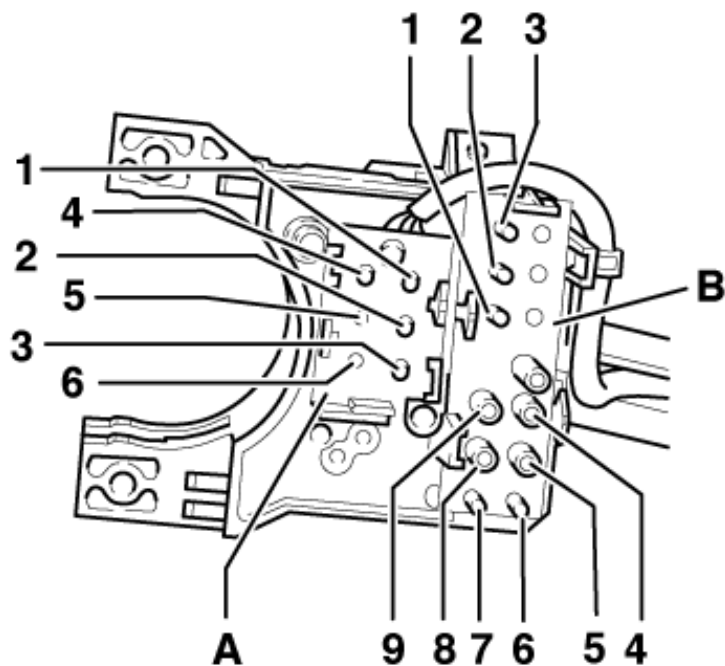


**A – Wtyk 14-pinowy. Włącznik świateł.**

- 1 [Light switch, contact 1 \(daytime/urban running lights\)](#)
- 2 Light switch, terminal X
- 3 [Light switch, contact 3 \(daytime/urban running lights\)](#)
- 4 Parking light switch, terminal PR
- 5 Parking light switch, terminal PL
- 6 Light switch and switch for manual dipping and headlight flasher, terminal 30
- 7 Light switch, terminal 58
- 8 Switch for manual dipping and headlight flasher, terminal 56
- 9 Switch for manual dipping and headlight flasher, terminal 56a
- 10 Switch for manual dipping and headlight flasher, terminal 56b
- 11 [Light switch, contact 11 \(daytime/urban running lights\)](#)
- 12 Parking light switch, terminal P
- 13 Light switch and switch for manual dipping and headlight flasher, terminal 30
- 14 Switch, terminal 14

**B - Connector, 6-pin, cruise control system**

- 1 - On and resume
- 2 - Resume
- 3 - Save
- 4 - Terminal 15
- 5 - On, resume and off (switch engaged at stop)
- 6 - Input from control unit, contact 3



**A - Connector, 6-pin, on-board computer**

- 1 - On-board computer, reset
- 2 - On-board computer, terminal 31
- 3 - On-board computer, right rocker
- 4 - On-board computer, left rocker
- 5 - Not used
- 6 - Not used

**B - Connector, 13-pin, wiper switch**

- 1 - Wiper switch, terminal J
- 2 - Wiper switch, terminal 53c
- 3 - Hazard warning light switch, terminal R
- 4 - Wiper switch, terminal 53b
- 5 - Wiper switch, terminal 53a
- 6 - Hazard warning light switch, terminal L
- 7 - Hazard warning light switch, terminal 49a
- 8 - Wiper switch, terminal 53e
- 9 - Wiper switch, terminal 53
- 10 - Not used
- 11 - Not used
- 12 - Not used
- 13 - Not used